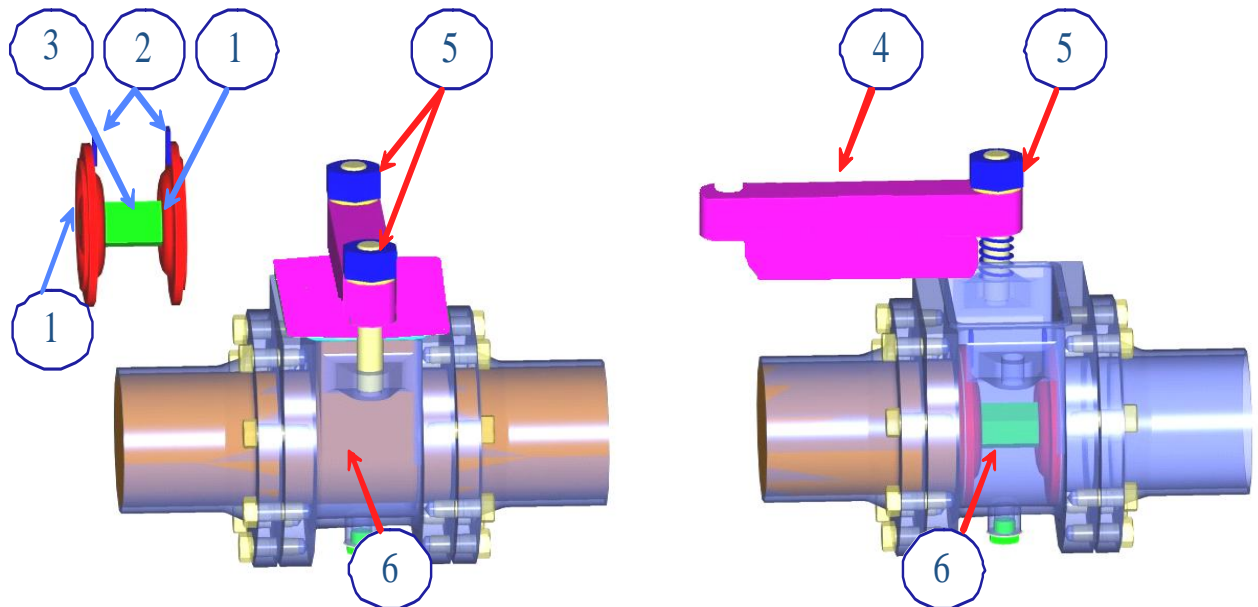




BLIND FLANGE VALVE

Type: DIN-SA2/3

OPERATION PROCEDURE



- ✓ The insert (valve disc) (1) is placed inside the valve body (6) with the disc stopper (2) on the left-hand disc, using the "hook" on the end of the spanner.
- ✓ The discs are tightened against the valve-seating by turning the tightening nut (3) towards you.
- ✓ The tightening moment for the discs depend on the pressure on the discs.
- ✓ To remove insert (1) with the disc-stopper on left-hand discs, the tightening nut is turned from you.
- ✓ The "hook" on the end of the spanner is used for lifting insert (1) out of the valve body. When closing the valve body, the cover (4) is brought into position and coverbolt-nuts (5) are turned down by hand, making sure that the cover is planned against the cover-seating.
- ✓ Turn each coverbolt-nut one half turn at a time until sufficient pressure is reached.
- ✓ To remove cover (4), loosen coverbolt-nut (5) where the spring is placed first, then loosen opposite nut.
- ✓ Be sure the jointing is clear of valve-seating before cover is swing aside.
- ✓ When discs (1) are inserted in valve-body, cover (4) to be kept open, making it possible to inspect valve-body for any leakage.

When cover (4) is tightened down and discs (1) are removed from valve-body (6), discs (1) should be stored as close to the valve as possible, preventing any misunderstanding whether discs are inside the valve-body or not

